

SANY[®]

SANY DIESEL TRUCK

6 X 4

**Saudi Arabia
KQY100001065**

Quality changes the world

■ www.sanyglobal.com

© Version 2026-03-28



Read E-brochure



Contents

SANY DIESEL TRUCK
Saudi Arabia 6x4 Flatroof Version

01 Basic
Configuration

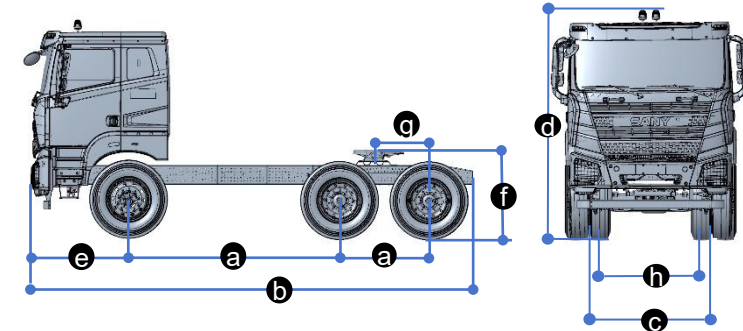
02 Core
Advantages

03 Application Scenarios
& Cases

04 Services
Support

01 Basic Configuration

Items		Saudi Arabia 6x4 Flatroof Version Technical Specifications
Basic Parameter	Model	HQC343DE52HSWS525
	Driver's Seat Location	Left Hand Drive
	Drive Type	6×4
	Curb Weight (kg)	10000
	Gross Combination Weight (kg)	80000
	Maximum Speed (km/h)	89(Speed Limited)
	Emission Standard	EURO V
Engine	Model	D13C5-525E2
	Rated Power	525 HP/386 kW
	Peak Torque (N·m)	2550
Transmission	Model	F12JZ26+QHG50C(FAST)
	Transmission Control System	AMT
	Fwd/Rev Speed Configuration	12/2
	Gear Ratios	1st:15.70;12th:1
Drive Axle	Load Capacity(t) and Ratio	16t/16t,4.266(Optional 4.769)
Brake	Type	Front and Rear Drum
Auxiliary Braking	Type	Engine Cylinder Brake
Suspension	Type	Front 3 Leaf Spring, Rear 5 Leaf Spring
Fuel Tank	Volume (L)	500
Wheel	Wheel Rim	Front and Rear Steel
	Tires	12.00R24



a	Wheelbase	3300+1400mm
b	Length	6965mm
c	Width	2545mm
d	Height	3440mm
e	Front Overhang	1515mm
f	Fifth Wheel Height (Unloaded)	1400±20mm
g	Fifth Wheel Position	950mm
h	Wheel Track	2059/1864/1864mm

01 Basic Configuration

Intelligent Driving System



ABS

ASR

Cabin Type



Flatroof flat floor LHD cabin

- 7-inch crystal instrument panel & 12.1-inch central control touchscreen
- High-mounted metal bumper
- Electric rearview mirror with heating function
- External sunshade
- Rear window
- Adjustable Seat
- Air conditioning system
- Power windows

02 Core Advantages



Exceptional Power

High torque, power surging

- ◆ The German-engineered Deutz D13C5-525 engine, boasting an impressive 525 HP and 2550 N·m, **offers superior power advantages over competitors**



High Reliability

≥1 million km service life

- ◆ Vehicle components boast improved performance, with rust-proof, dust-proof and waterproof rating **meeting C5 standard**
- ◆ Vehicle passed million-kilometer durability validation, proving **service life ≥1 million km**



High Security

30% vehicle's active safety performance enhancement

- ◆ Standard in ABS+ASR, and driver fatigue monitoring, intelligent technologies boost the vehicle's **active safety performance by 30%**
- ◆ The cab and body feature an all-steel integrated design, with safety performance meeting and exceeding ECE R29 requirements. The paint film thickness is significantly higher than industry standards, delivering **superior corrosion resistance and durability**



High Passability

≥600 mm bumper ground clearance

- ◆ The high-mounted bumper features a ground clearance of up to 600 mm, **ensuring excellent passability in complex road conditions**
- ◆ Rotational speed differential functions for drive axle and drive wheel, and ASR ensure **reliable passability of unpaved roads**

02 Core Advantages

Gold-Powered Drive System

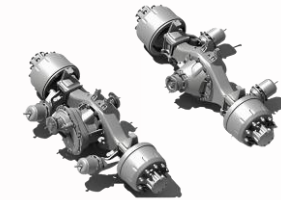


SANY Deutz engine

Efficient transmission performance & Stable output



FAST gear transmission



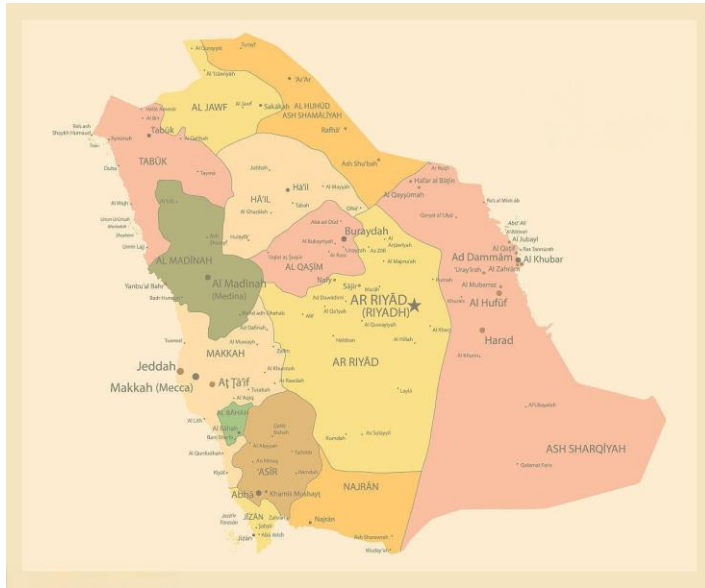
FANGSHENG /
HANDE axle

- ✓ DEUTZ, a century-old brand, features the European latest advanced technology with strong overload capacity and superior durability
- ✓ High-efficiency turbocharger and high explosion pressure combustion technology deliver stronger power output, with more robust performance during startup and sudden acceleration

- ✓ FAST's new-generation integrated automatic transmission balances power performance across both high and low speed ranges
- ✓ High-precision gear grinding technology achieves a transmission efficiency of up to 99.8%
- ✓ Equipped with economic/sport dual driving modes, it features smooth shifting and easy operation

- ✓ FANGSHENG/HANDE axle features superior load capacity, high quality and reliability
- ✓ A broad range of gear ratio options enables adaptation to diverse operating conditions, including highway and national road scenarios

03 Application Scenarios & Cases



On-site gravel haulage and equipment transportation

Segment market
GCW
Maximum speed
Transportation scenarios

On-site gravel haulage and equipment transportation (Heavy-load operation on unpaved road)

80 t

89(speed limited) / 100 km/h (speed unlimited)

Gravel, ores, earthwork, etc.



On-site equipment transportation



On-site gravel haulage

03 Application Scenarios & Cases



Countries : Saudi Arabia

Number of Deliveries : 35 units



Scenarios : Equipment

04 Technical Support & Services

A. Service network



SANY Efficient Service Supply Network

24/7 Service Online



1,700+

Overseas
Service Centers

7,000+

Professional
Service Staff

24h

24/7
Always Online

Prompt SANY Standard Service Response

“12127” Service Target



1 quarter **Respond**

2 hours **Arrival**

1 day **General
Issues Solved**

2 days **Complaint
Issues Solved**

7 days **Legacy
Issues Solved**

Parts Support

“1790” Parts
Target



1 day **Downtime Parts
Shipped within 1 Day**

7 days **Urgent Parts
Shipped within 7 Days**

90% **Local Parts
Availability**

04 Services Support

B. Service Policy

A. Vehicle Warranty Policy

For SANY trucks in overseas markets, the standard warranty period for all vehicle parts (excluding critical components and special warranty items) is **two-year with unlimited mileage**

B. Key Components Warranty Policy

For Standard Model

- **Automatic transmission assembly**
(Casting Parts follow the base warranty period): **36 months**
- **Manual transmission assembly**
(Housing Parts follow the base warranty period): **36 months**



Transmission

- Lifting Axle, Support Axle Tube & Axle Housing Assembly, Bearing Block, Transfer Case Cover, Transfer Case, Oil Seal Seat: **36 months**



Axles

- Basic components(excluding Crankshaft, Camshaft, Connecting Rod, Flywheel Housing, Gear, Timing Gear Chamber): **36 months**



engine

For Super Model

- Automatic transmission assembly (Casting Parts follow the base warranty period):**24 months**

- Lifting Axle, Support Axle Tube & Axle Housing Assembly, Bearing Block, Transfer Case Cover, Transfer Case, Oil Seal Seat: **24 months**

- Basic components(excluding Crankshaft, Camshaft, Connecting Rod, Flywheel Housing, Gear, Timing Gear Chamber): **24 months**

C. Parts Warranty Policy

Components purchased by customers through parts stores or service centers are covered by a **6-month** SANY parts warranty

For specific component warranty periods, please refer to *SANY Detailed Rules for Quality Warranty Periods*.

thanks

SANY TRUCK



www.sanyglobal.com | www.sanytruck.com/intl/



Follow SANY Group



Follow SANY TRUCK