

**SANY**<sup>®</sup>

**SANY DIESEL TRUCK**  
**4 X 2**

**SUPER VERSION**

Quality changes the world

---

■ [www.sanyglobal.com](http://www.sanyglobal.com)

© Version 2026-03-28

---



Read E-brochure

**Saudi Arabia**  
**KQY100001070**



# Contents

SANY DIESEL TRUCK  
Saudi Arabia 4x2 Super Version

01 Basic  
Configuration

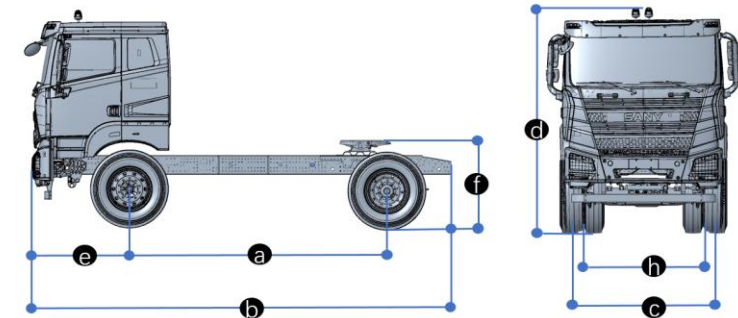
02 Core  
Advantages

03 Application Scenarios  
& Cases

04 Services  
Support

# 01 Basic Configuration

Items		Saudi Arabia 4x2 Super Version Technical Specifications
<b>Basic Parameter</b>	Model	HQC240DE13FSWS485
	Driver's Seat Location	Left Hand Drive
	Drive Type	4×2
	Curb Weight (kg)	7500
	Gross Combination Weight (kg)	60000
	Maximum Speed (km/h)	89(Speed Limited)
	Emission Standard	EURO V
<b>Engine</b>	Model	D13C5-485E2
	Rated Power	485HP/357kW
	Peak Torque (N·m)	2350
<b>Transmission</b>	Model	F12JZ24+QHG50C(FAST)
	Transmission Control System	AMT
	Fwd/Rev Speed Configuration	12/2
	Gear Ratios	1st:15.70;12th:1
<b>Drive Axle</b>	Load Capacity(t) and Ratio	16, 4.266(Optional 4.769)
<b>Brake</b>	Type	Front and Rear Drum
<b>Auxiliary Braking</b>	Type	Engine Cylinder Brake
<b>Suspension</b>	Type	Front 3 Leaf Spring, Rear 4+3 Leaf Spring
<b>Fuel Tank</b>	Volume (L)	600+300
<b>Wheel</b>	Wheel Rim	Front and Rear Steel
	Tires	12.00R24



a	Wheelbase	4000mm
b	Length	6583mm
c	Width	2545mm
d	Height	3450mm
e	Front Overhang	1515mm
f	Fifth Wheel Height (Unloaded)	1390±20mm
h	Wheel Track	2119/1872mm

# 01 Basic Configuration

Intelligent  
Driving System



ABS

ASR

Cabin Type



Flat roof flat floor LHD cabin



7-inch crystal instrument panel & 12.1-inch central control touchscreen

High-mounted bumper

Electric rearview mirror with heating function

External sunshade

Rear window

Adjustable Seat

Air conditioning system

Power windows

# 02 Core Advantages



## Exceptional Power

High torque, power surging

- ◆ The German-engineered Deutz D13 engine, boasting an impressive 485 HP and 2350 N·m, offers **superior power advantages over competitors**



## High Reliability

**≥1 million km service life**

- ◆ Vehicle components boast improved performance, with rust-proof, dust-proof and waterproof rating **meeting C5 standard**
- ◆ Vehicle passed million-kilometer durability validation, proving **service life ≥1 million km**



## High Security

**30% vehicle's active safety** performance enhancement

- ◆ Standard in ABS+ASR, and driver fatigue monitoring, intelligent technologies boost the vehicle's **active safety performance by 30%**
- ◆ The cab and body feature an all-steel integrated design, with safety performance meeting and exceeding ECE R29 requirements. The paint film thickness is significantly higher than industry standards, delivering **superior corrosion resistance and durability**



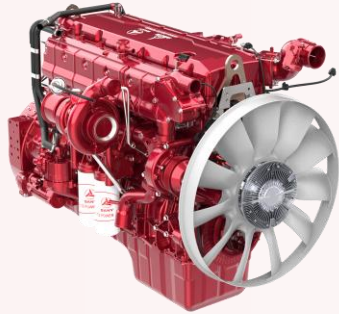
## High Load Capacity

**60000 kg** Gross Combination Weight

- ◆ 8 mm + 7 mm reinforced double-layer steel frame **boosts load capacity by 20%**
- ◆ Equipped with front 3, rear 4+3 leaf spring suspension, the vehicle **achieves a GCW of up to 60000 kg**

# 02 Core Advantages

## Gold-Powered Drive System



SANY Deutz engine

- ✓ DEUTZ, a century-old brand, features the European latest advanced technology with strong overload capacity and superior durability
- ✓ High-efficiency turbocharger and high explosion pressure combustion technology deliver stronger power output, with more robust performance during startup and sudden acceleration

## Efficient transmission performance & Stable output



FAST gear transmission

- ✓ FAST's new-generation integrated automatic transmission balances power performance across both high and low speed ranges
- ✓ High-precision gear grinding technology achieves a transmission efficiency of up to 99.8%
- ✓ Equipped with economic/sport dual driving modes, it features smooth shifting and easy operation



FANGSHENG /  
HANDE axle

- ✓ FANGSHENG/HANDE axle features superior load capacity, high quality and reliability
- ✓ A broad range of gear ratio options enables adaptation to diverse operating conditions, including highway and national road scenarios

# 03 Application Scenarios & Cases



## On-site gravel haulage

Segment market  
GCW  
Maximum speed  
Transportation scenarios

On-site gravel haulage (Heavy-load operation on unpaved road )  
60 t  
89(speed limited) / 100 km/h (speed unlimited)  
Gravel, ores, earthwork, etc.



On-site gravel haulage



# 04 Technical Support & Services

## A. Service network



### SANY Efficient Service Supply Network

24/7 Service Online



**1,700+**

Overseas Service Centers

**7,000+**

Professional Service Staff

**24h**

24/7 Always Online

### Prompt SANY Standard Service Response

“12127” Service Target



**1** quarter Respond

**2** hours Arrival

**1** day General Issues Solved

**2** days Complaint Issues Solved

**7** days Legacy Issues Solved

### Parts Support

“1790” Parts Target



**1** day Downtime Parts Shipped within 1 Day

**7** days Urgent Parts Shipped within 7 Days

**90%** Local Parts Availability

# 04 Services Support

## B. Service Policy

### A. Vehicle Warranty Policy

For SANY trucks in overseas markets, the standard warranty period for all vehicle parts (excluding critical components and special warranty items) is **two-year with unlimited mileage**

### B. Key Components Warranty Policy

#### For Standard Model

- **Automatic transmission assembly**  
(Casting Parts follow the base warranty period): **36 months**
- **Manual transmission assembly**  
(Housing Parts follow the base warranty period): **36 months**



Transmission

- Lifting Axle, Support Axle Tube & Axle Housing Assembly, Bearing Block, Transfer Case Cover, Transfer Case, Oil Seal Seat: **36 months**



Axles

- Basic components(excluding Crankshaft, Camshaft, Connecting Rod, Flywheel Housing, Gear, Timing Gear Chamber): **36 months**



engine

#### For Super Model

- Automatic transmission assembly (Casting Parts follow the base warranty period): **24 months**

- Lifting Axle, Support Axle Tube & Axle Housing Assembly, Bearing Block, Transfer Case Cover, Transfer Case, Oil Seal Seat: **24 months**

- Basic components(excluding Crankshaft, Camshaft, Connecting Rod, Flywheel Housing, Gear, Timing Gear Chamber): **24 months**

### C. Parts Warranty Policy

Components purchased by customers through parts stores or service centers are covered by a **6-month** SANY parts warranty

For specific component warranty periods, please refer to *SANY Detailed Rules for Quality Warranty Periods*.

thanks

**SANY TRUCK**



[www.sanyglobal.com](http://www.sanyglobal.com) | [www.sanytruck.com/intl/](http://www.sanytruck.com/intl/)



Follow SANY Group



Follow SANY TRUCK